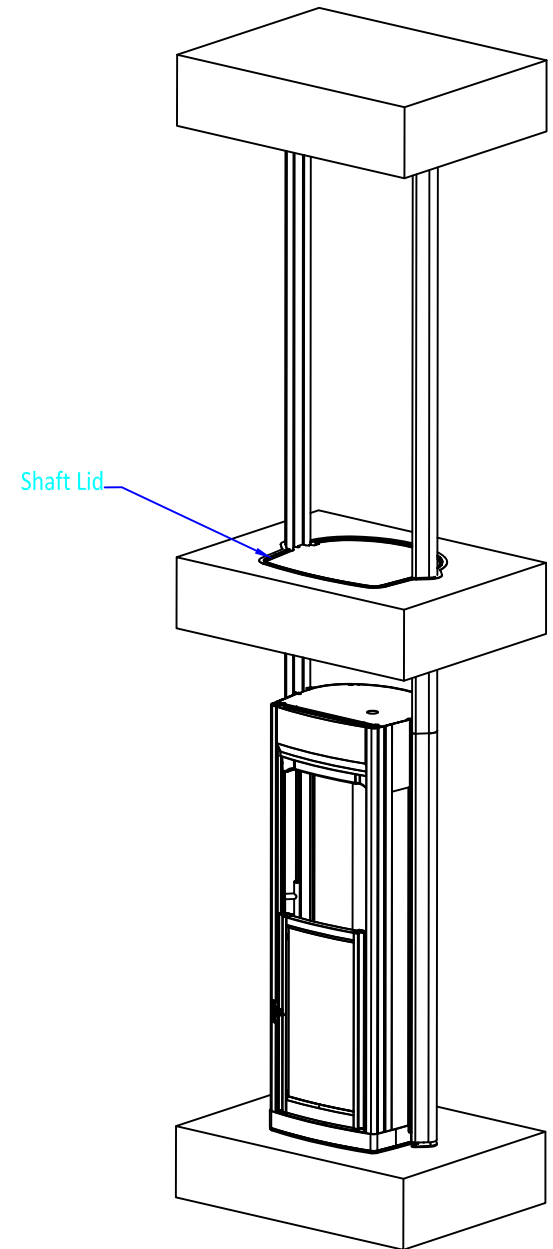
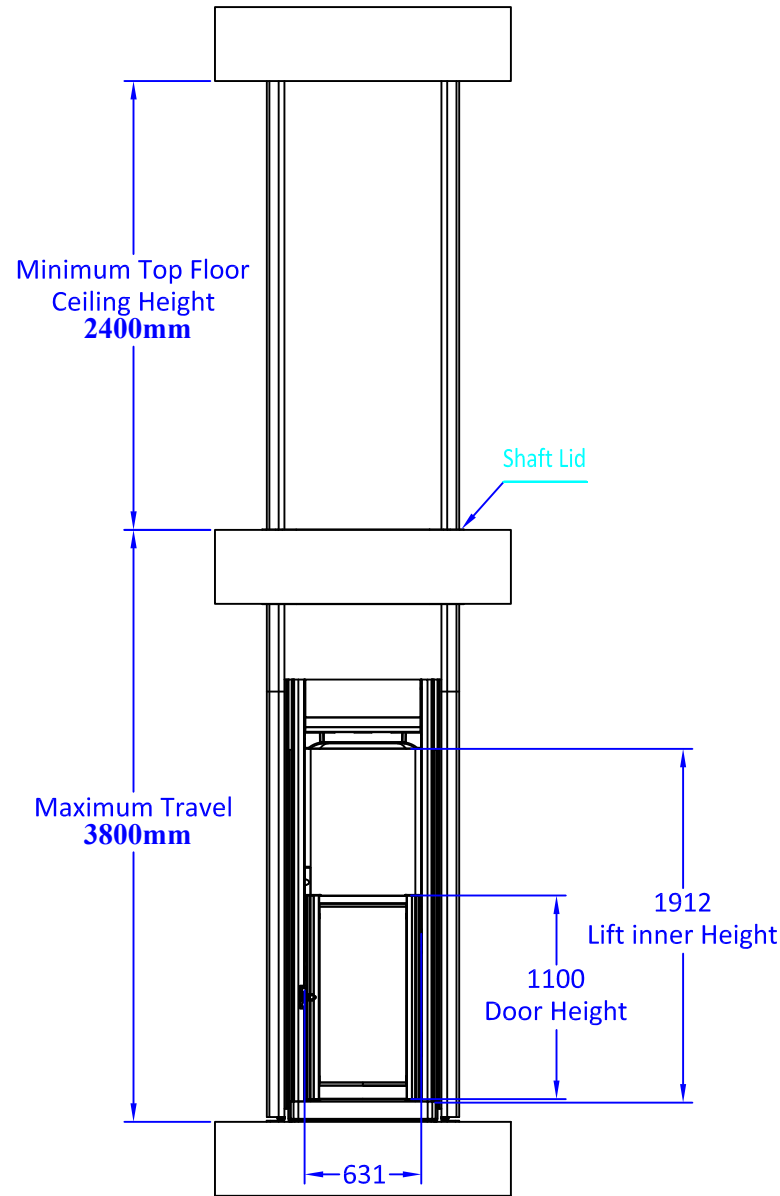
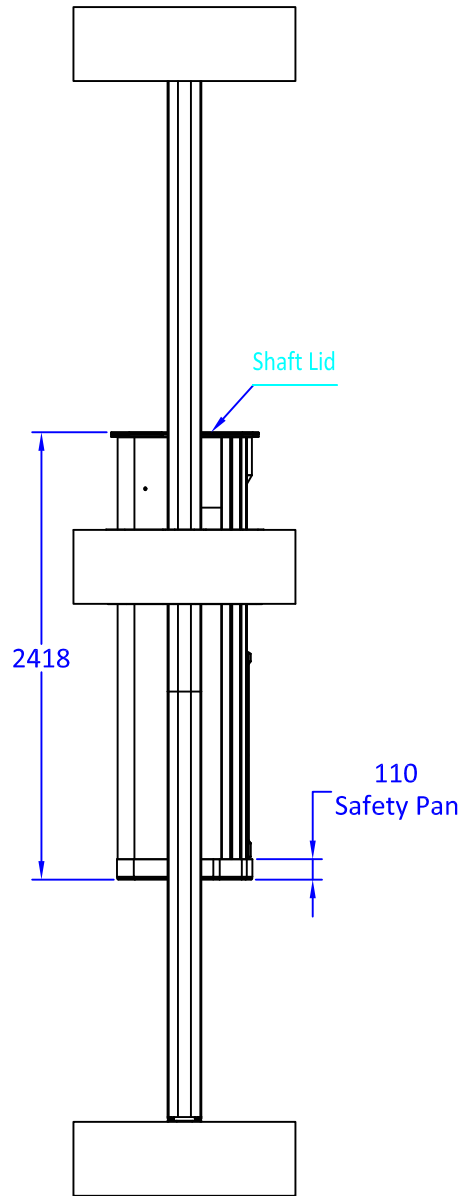


Notes about this Revision	Date



The Compact Elegance


Approved for Manufacture

GENERAL TOLERANCES (Unless otherwise noted):

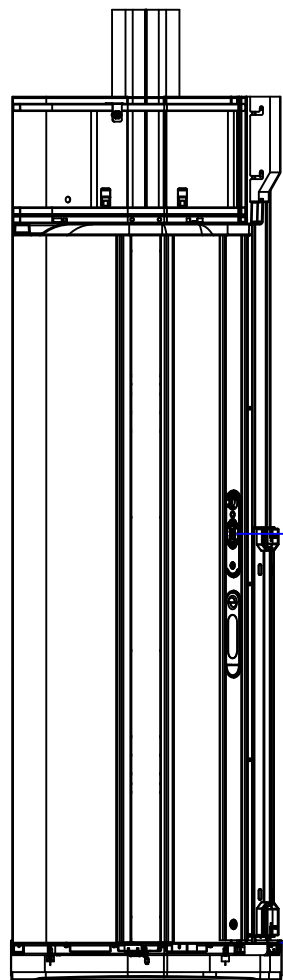
Whole: ± 0.5mm
 Decimal: ± 0.1mm
 Angular: ± 0.25 deg.

Break ALL sharp corners and remove burrs & swarf.

By: (Sign)
 Name:

Drawn		Date 2016/03/21	TITLE The Elegance	
 DIMENSIONS IN MM UNLESS OTHERWISE NOTED THIRD ANGLE PROJECTION - AS 1100		A4	Dwg No -	PAGE OF
SCALE: 1:40			OF	

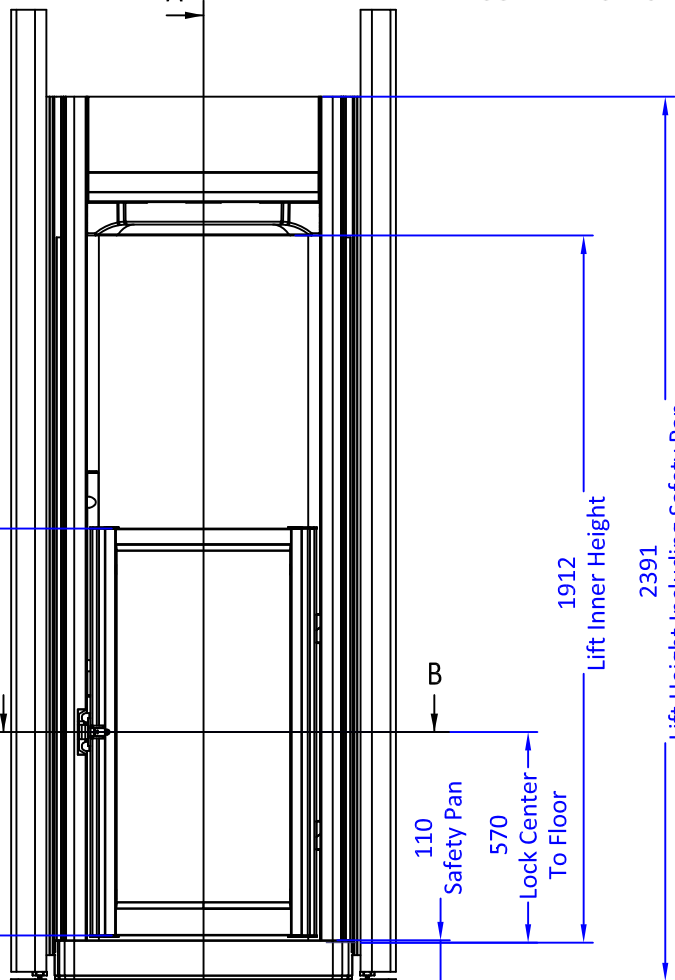
PRINT MAY BE REDUCED - DO NOT SCALE.



SECTION A-A

1105
COP To The Floor

1100
Door Height



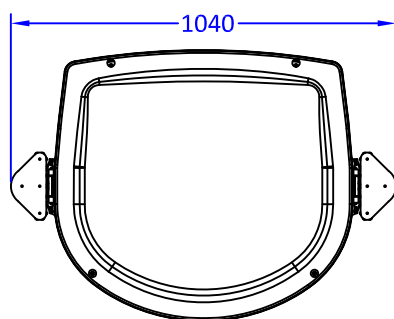
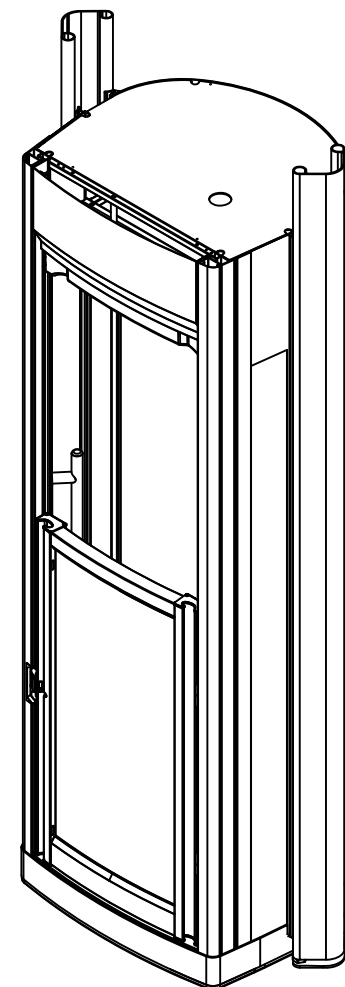
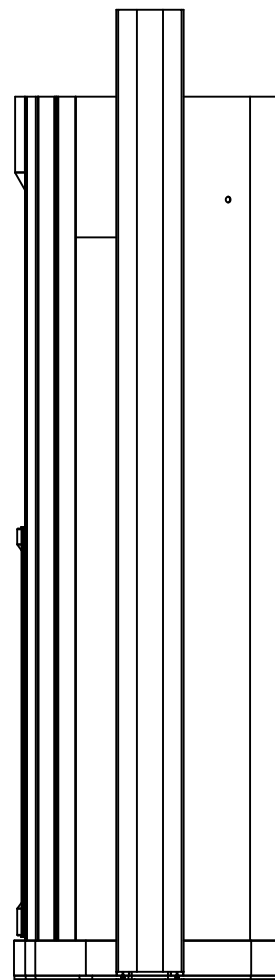
A

110
Safety Pan

570
Lock Center
To Floor

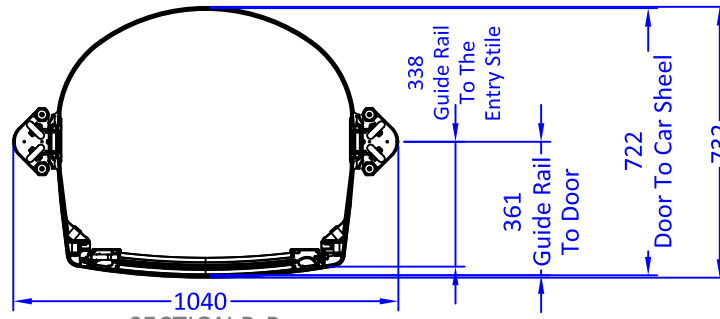
1912
Lift Inner Height

2391
Lift Height Including Safety Pan



SECTION B-B

1040



338
Guide Rail
To The
Entry Stile

361
Guide Rail
To Door

722
Door To Car Sheel

732

The Compact Elegance

Approved for Manufacture

GENERAL TOLERANCES (Unless otherwise noted):

Whole: ± 0.5mm
 Decimal: ± 0.1mm
 Angular: ± 0.25 deg.

Break ALL sharp corners and remove burrs & swarf.

Drawn _____ Date 2016/03/21



DIMENSIONS IN MM UNLESS OTHERWISE NOTED

THIRD ANGLE PROJECTION - AS 1100

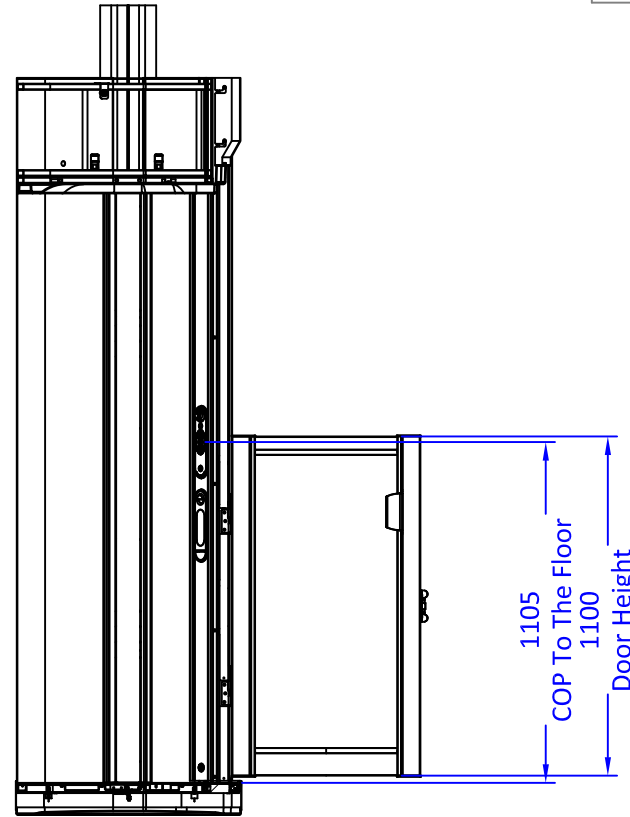
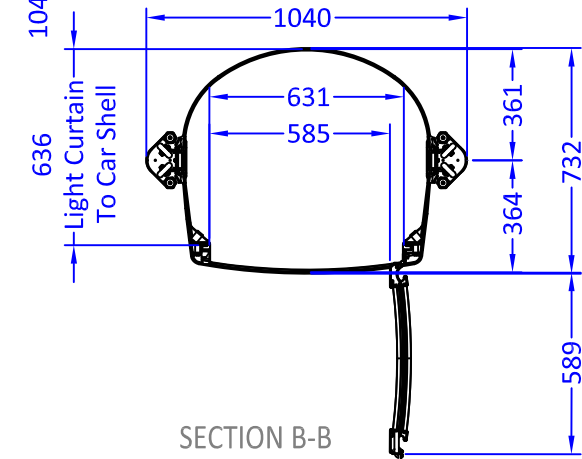
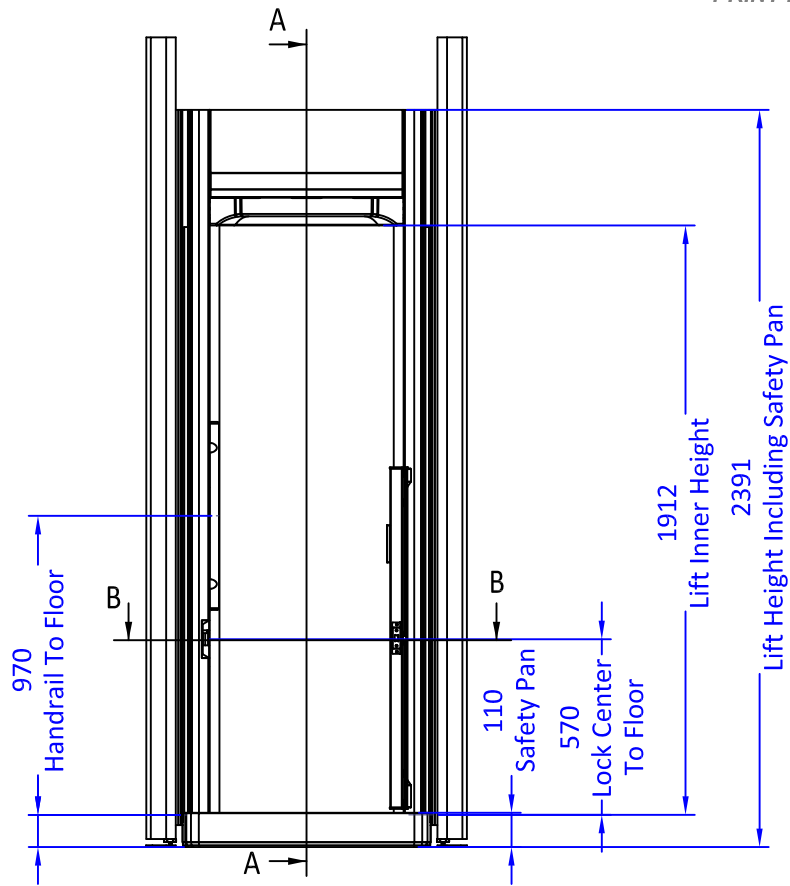
TITLE
The Elegance

A4

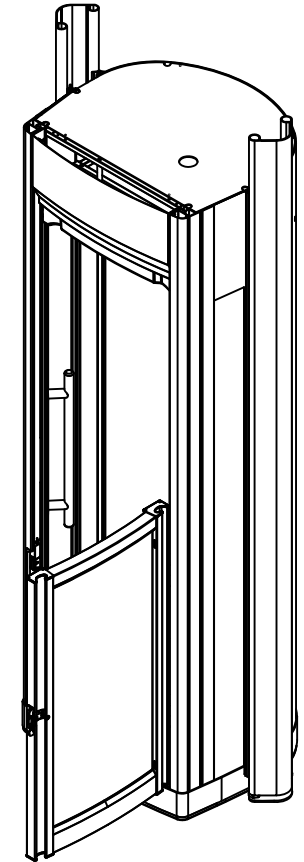
Dwg No -
SCALE: 1:20

PAGE
1 OF 2

Notes about this Revision	Date



SECTION A-A



Approved for Manufacture

GENERAL TOLERANCES (Unless otherwise noted):

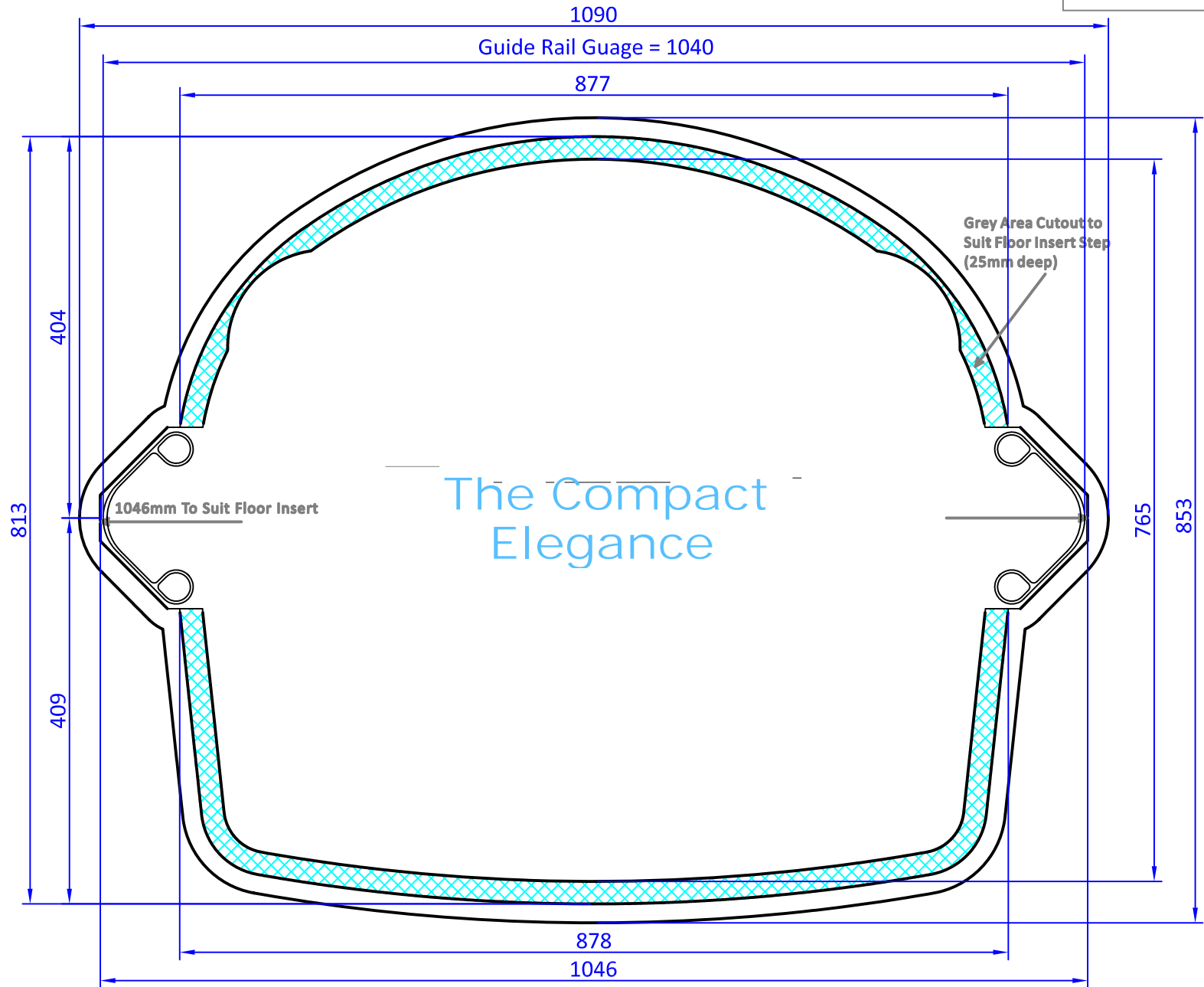
Whole: ± 0.5mm
 Decimal: ± 0.1mm
 Angular: ± 0.25 deg.

Break ALL sharp corners and remove burrs & swarf.

By: (Sign)
 Name:

The Compact Elegance

©		TITLE The Elegance	
Drawn ..	Date 2016/03/21	Dwg No -	
DIMENSIONS IN MM UNLESS OTHERWISE NOTED THIRD ANGLE PROJECTION - AS 1100		A4	PAGE 2 OF 2
		SCALE: 1:24	



Approved for Manufacture
 By: (Sign)
 Name:.....

GENERAL TOLERANCES (Unless otherwise noted):
 Whole: ± 0.5mm
 Decimal: ± 0.1mm
 Angular: ± 0.25 deg.
 Break ALL sharp corners and remove burrs & swarf.

The Compact Elegance

©	Date 2016/03/21
Drawn	
DIMENSIONS IN MM UNLESS OTHERWISE NOTED	
THIRD ANGLE PROJECTION - AS 1100	

TITLE	The Elegance	
A4	Dwg No	PAGE 1 OF 1
	SCALE: 1:1	