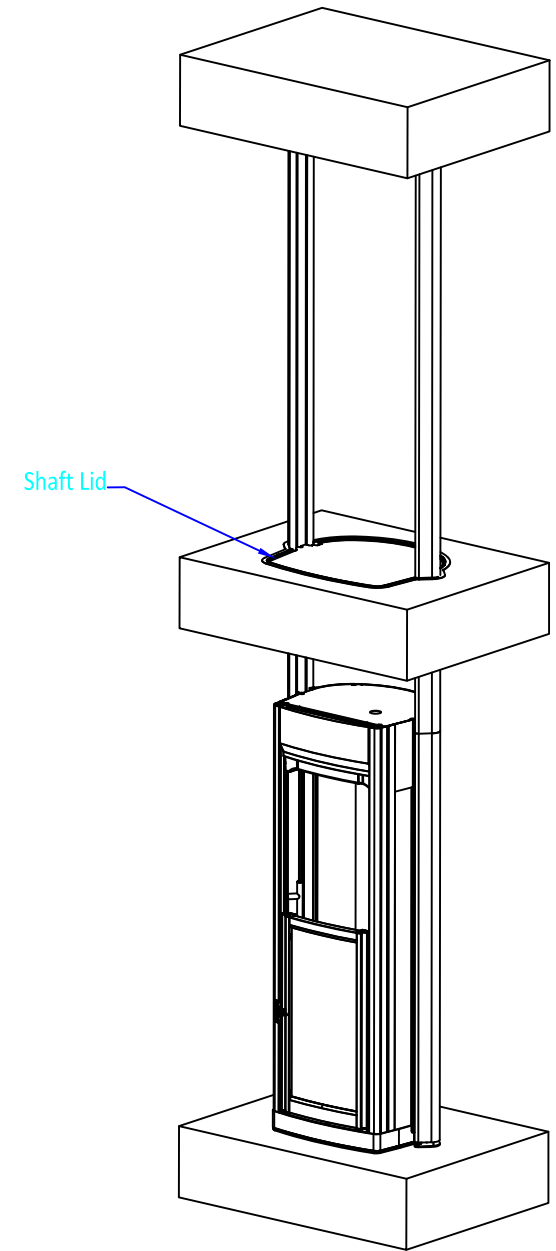
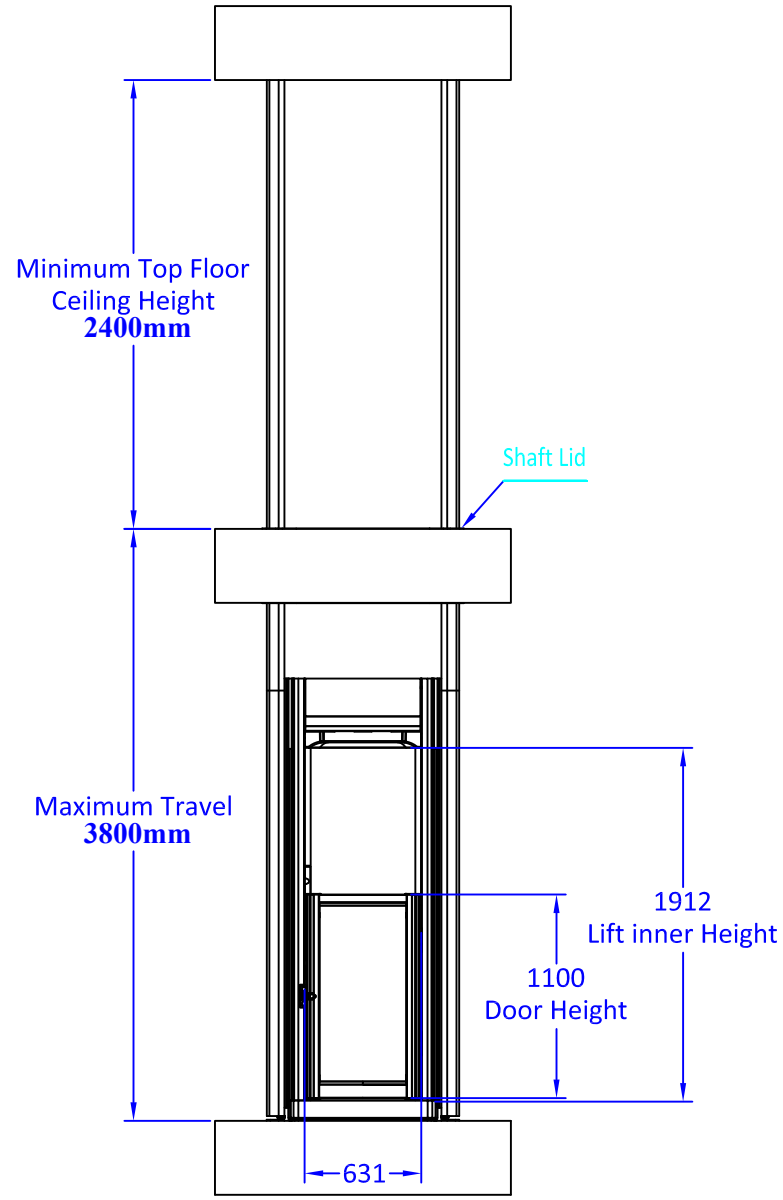
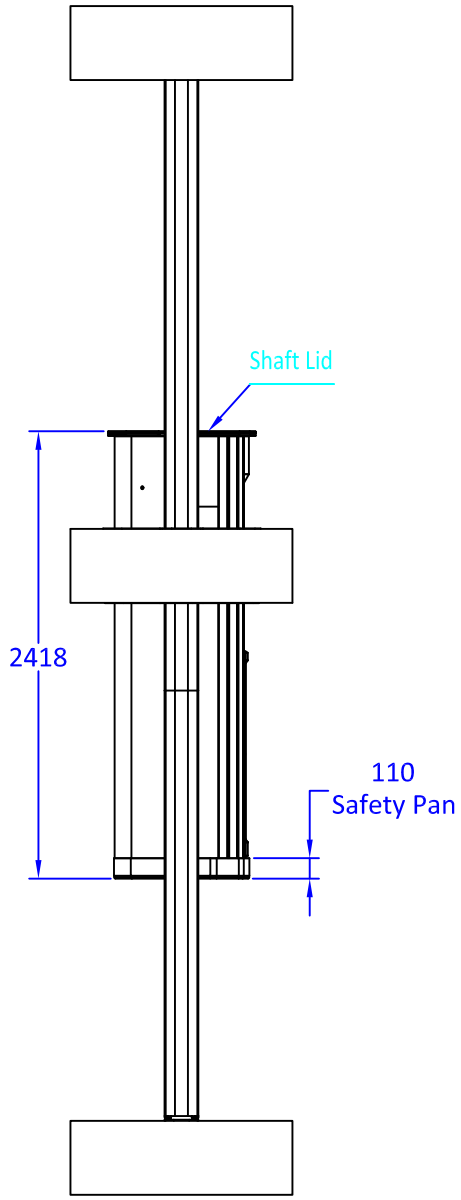


Notes about this Revision	Date



The Compact Elegance

Approved for Manufacture


GENERAL TOLERANCES (Unless otherwise noted):

- Whole: ± 0.5mm
- Decimal: ± 0.1mm
- Angular: ± 0.25 deg.

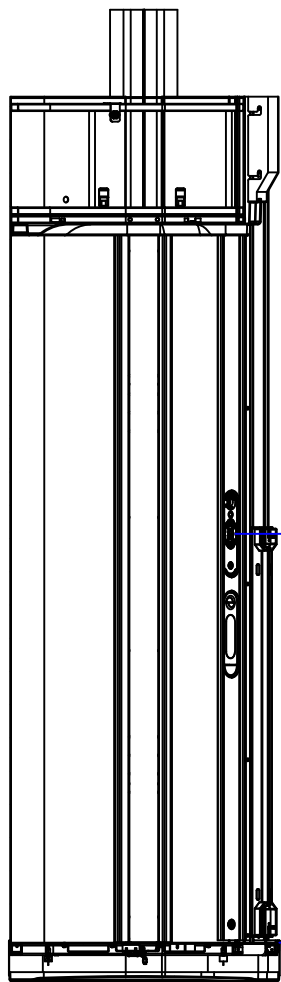
Break ALL sharp corners and remove burrs & swarf.

By: (Sign)

Name:

Drawn		Date 2016/03/21	TITLE	
		DIMENSIONS IN MM UNLESS OTHERWISE NOTED		The Elegance
THIRD ANGLE PROJECTION - AS 1100		A4	Dwg No -	PAGE OF
		SCALE: 1:40		OF

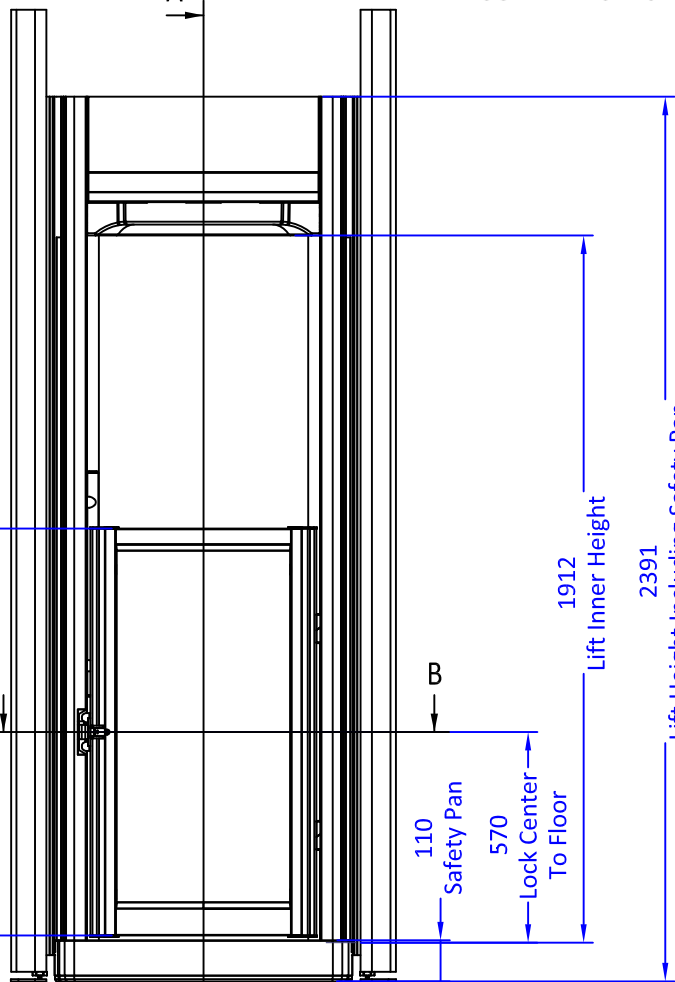
PRINT MAY BE REDUCED - DO NOT SCALE.



SECTION A-A

1105
COP To The Floor

1100
Door Height



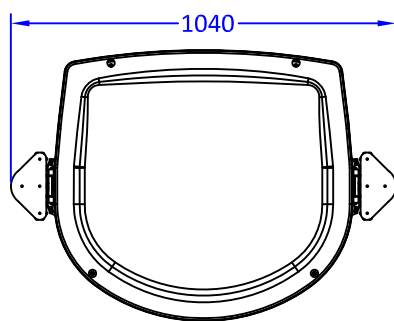
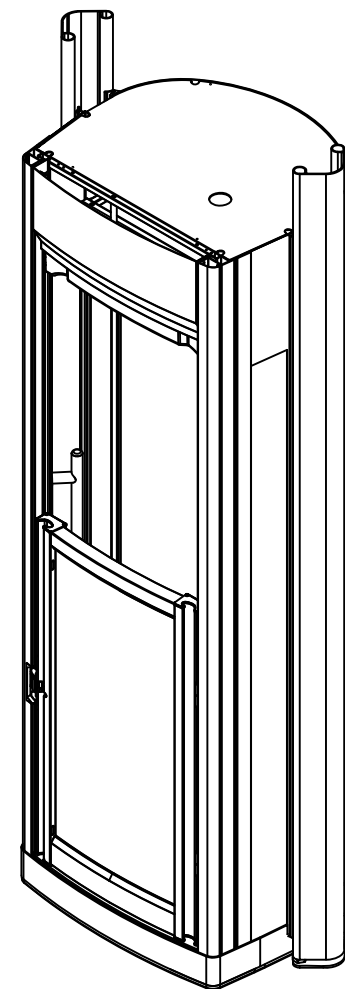
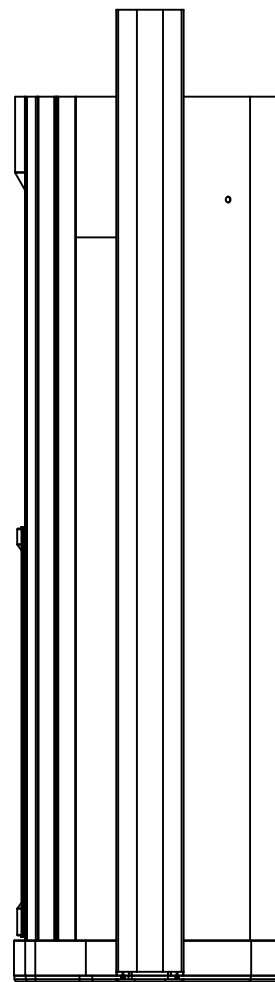
A

110
Safety Pan

570
Lock Center
To Floor

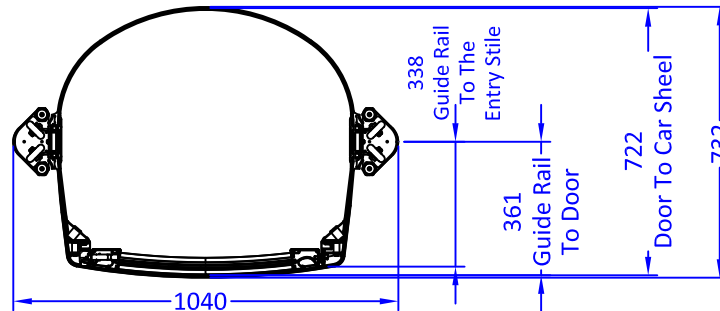
1912
Lift Inner Height

2391
Lift Height Including Safety Pan



SECTION B-B

1040



338
Guide Rail
To The
Entry Stile

361
Guide Rail
To Door

722
Door To Car Sheel

732

The Compact Elegance

Approved for Manufacture

GENERAL TOLERANCES (Unless otherwise noted):

Whole: ± 0.5mm
 Decimal: ± 0.1mm
 Angular: ± 0.25 deg.

Break ALL sharp corners and remove burrs & swarf.

By: (Sign)
 Name:

Drawn Date 2016/03/21



THIRD ANGLE PROJECTION - AS 1100

DIMENSIONS IN MM UNLESS OTHERWISE NOTED

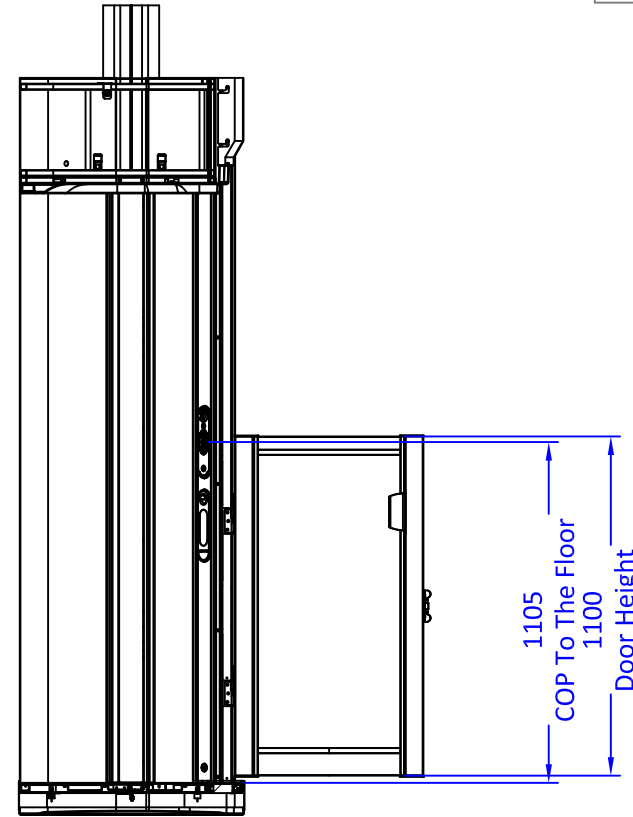
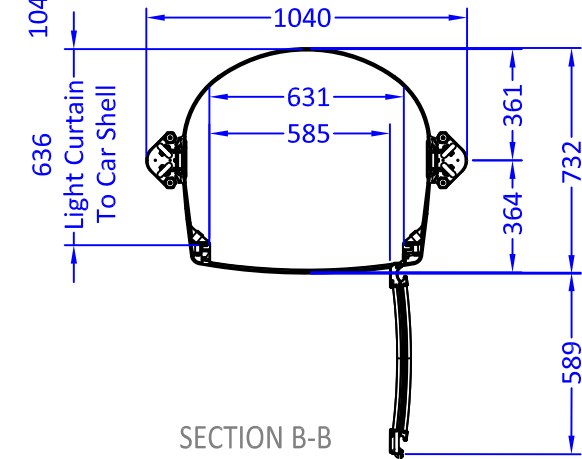
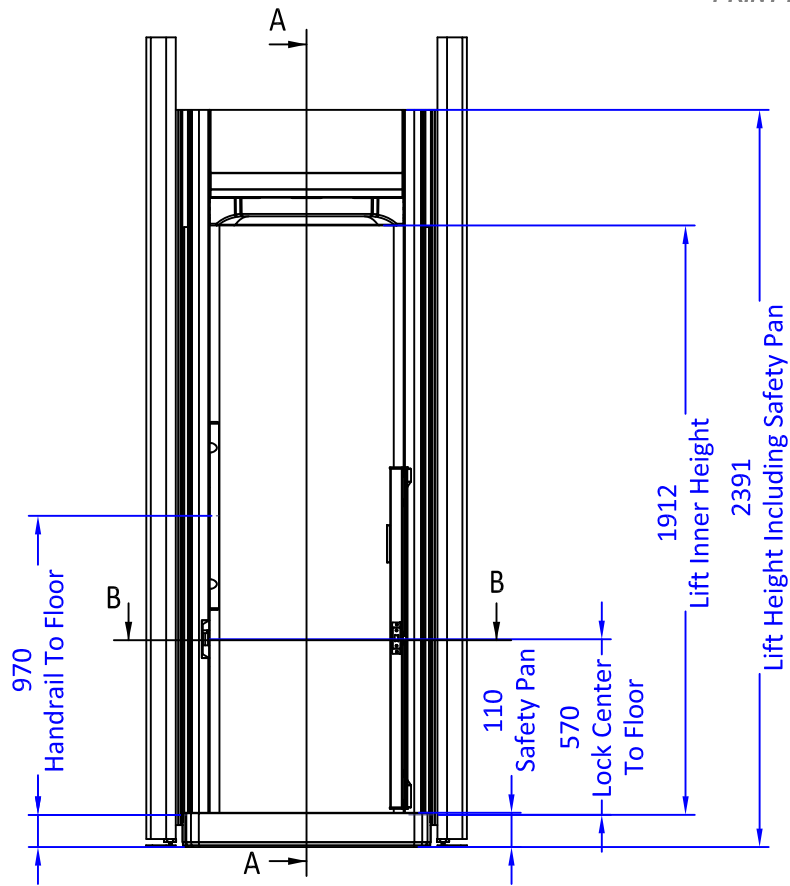
TITLE The Elegance

A4

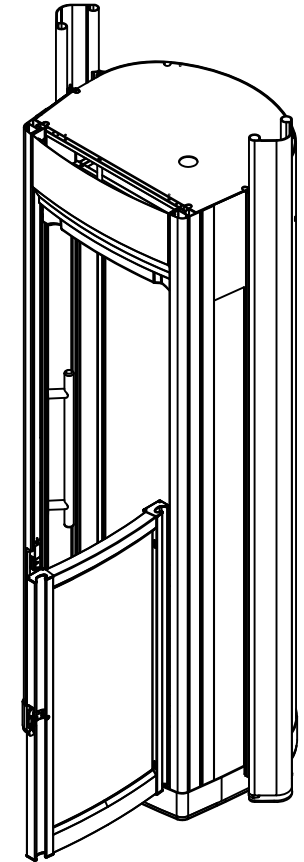
Dwg No -
 SCALE: 1:20

PAGE 1 OF 2

Notes about this Revision	Date



SECTION A-A



Approved for Manufacture

GENERAL TOLERANCES (Unless otherwise noted):

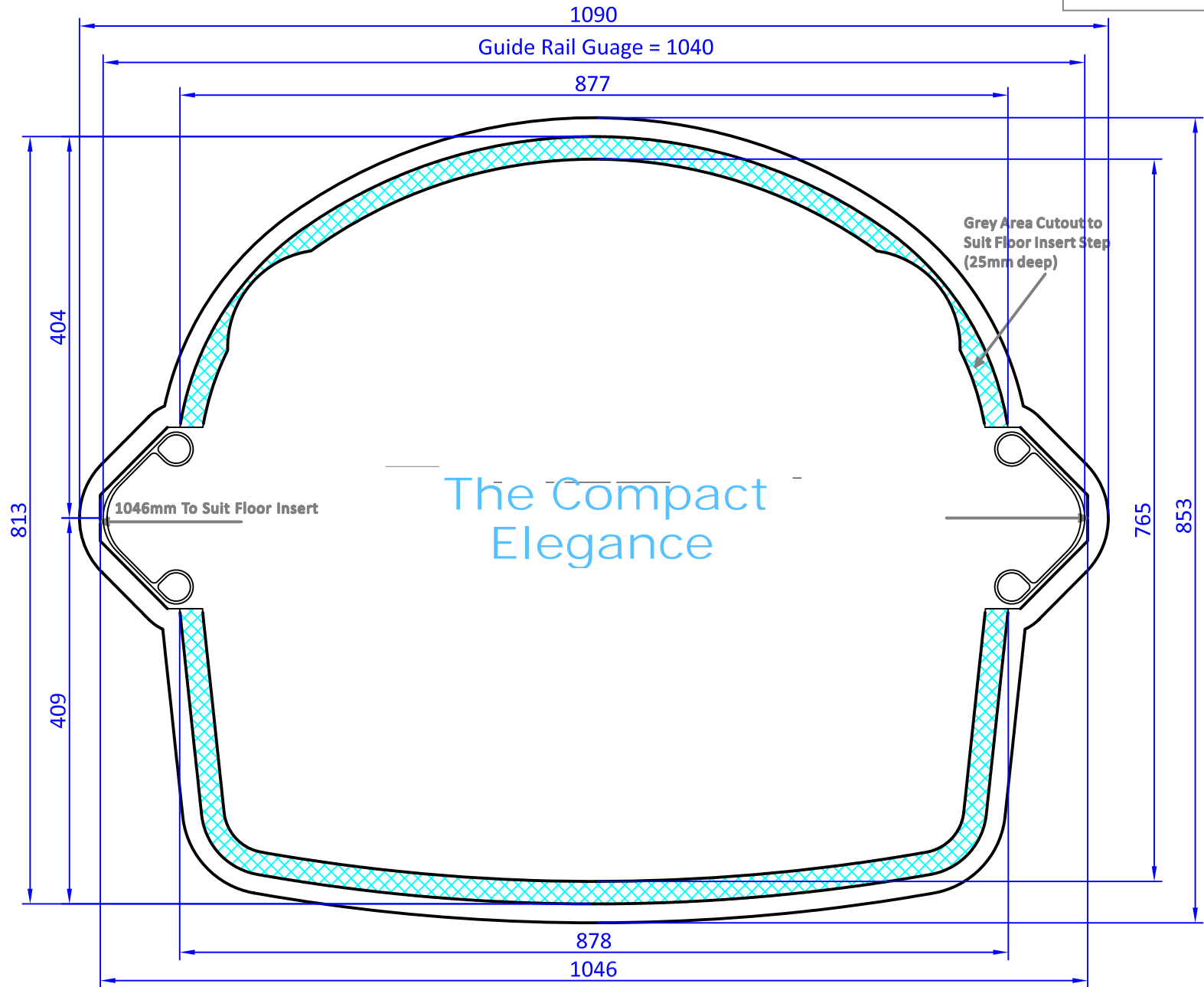
Whole: ± 0.5mm
 Decimal: ± 0.1mm
 Angular: ± 0.25 deg.

Break ALL sharp corners and remove burrs & swarf.

By: (Sign)
 Name:

The Compact Elegance

©		TITLE The Elegance	
Drawn ..	Date 2016/03/21	Dwg No -	
DIMENSIONS IN MM UNLESS OTHERWISE NOTED THIRD ANGLE PROJECTION - AS 1100		A4	PAGE 2 OF 2
		SCALE: 1:24	



The Compact Elegance

Approved for Manufacture

By: (Sign)

Name:.....

GENERAL TOLERANCES (Unless otherwise noted):

Whole: ± 0.5mm

Decimal: ± 0.1mm

Angular: ± 0.25 deg.

Break ALL sharp corners and remove burrs & swarf.

©	
Drawn	Date 2016/03/21
DIMENSIONS IN MM UNLESS OTHERWISE NOTED	
THIRD ANGLE PROJECTION - AS 1100	

TITLE	The Elegance	
A4	Dwg No	PAGE 1 OF 1
	SCALE: 1:1	